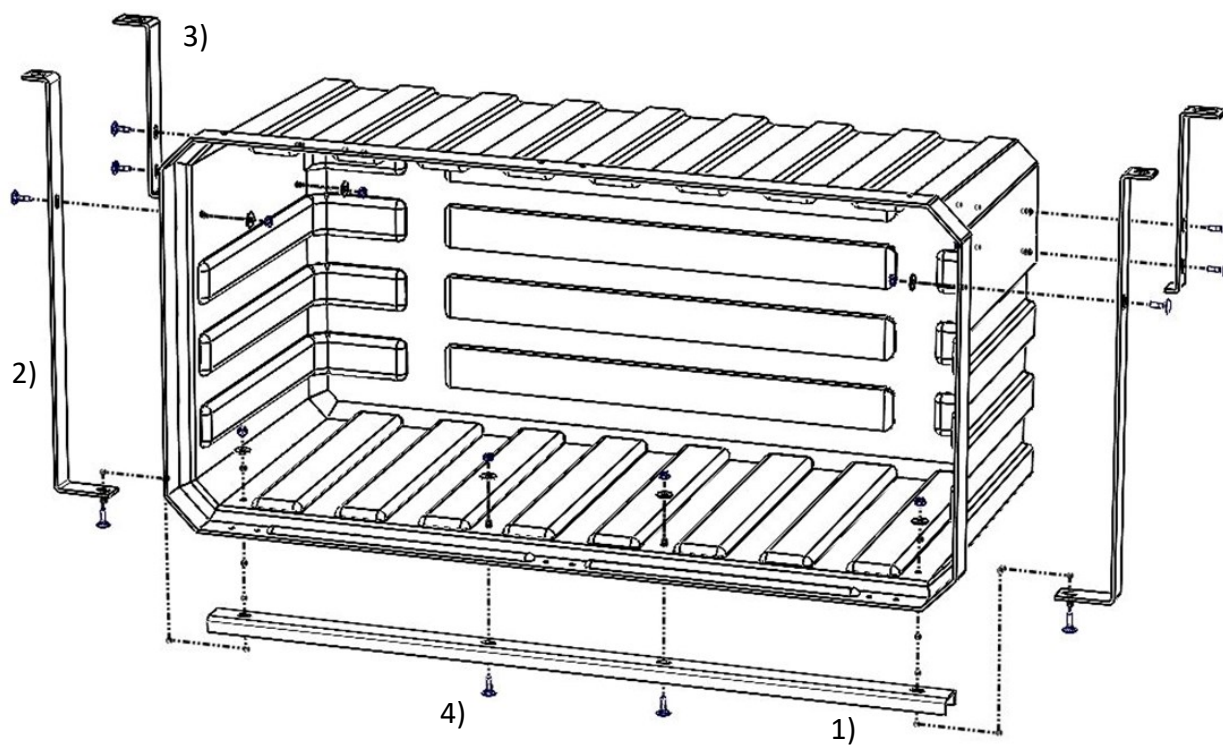


# INSTALLATION INSTRUCTIONS


102866 Installation kit SL4 (vertical) for

100455 Toolbox 840x480x485

100456 Toolbox 840x480x550 T



Pos.	Qty	Part
1	1 x	U-profile 759mm
2	2 x	Z-bracket 508mm
3	2 x	Z-bracket 218mm

4	10 x	 Square Neck Bolt M6x20
4	10 x	 Nut Nyloc M6
4	10 x	 Washer M6x18

